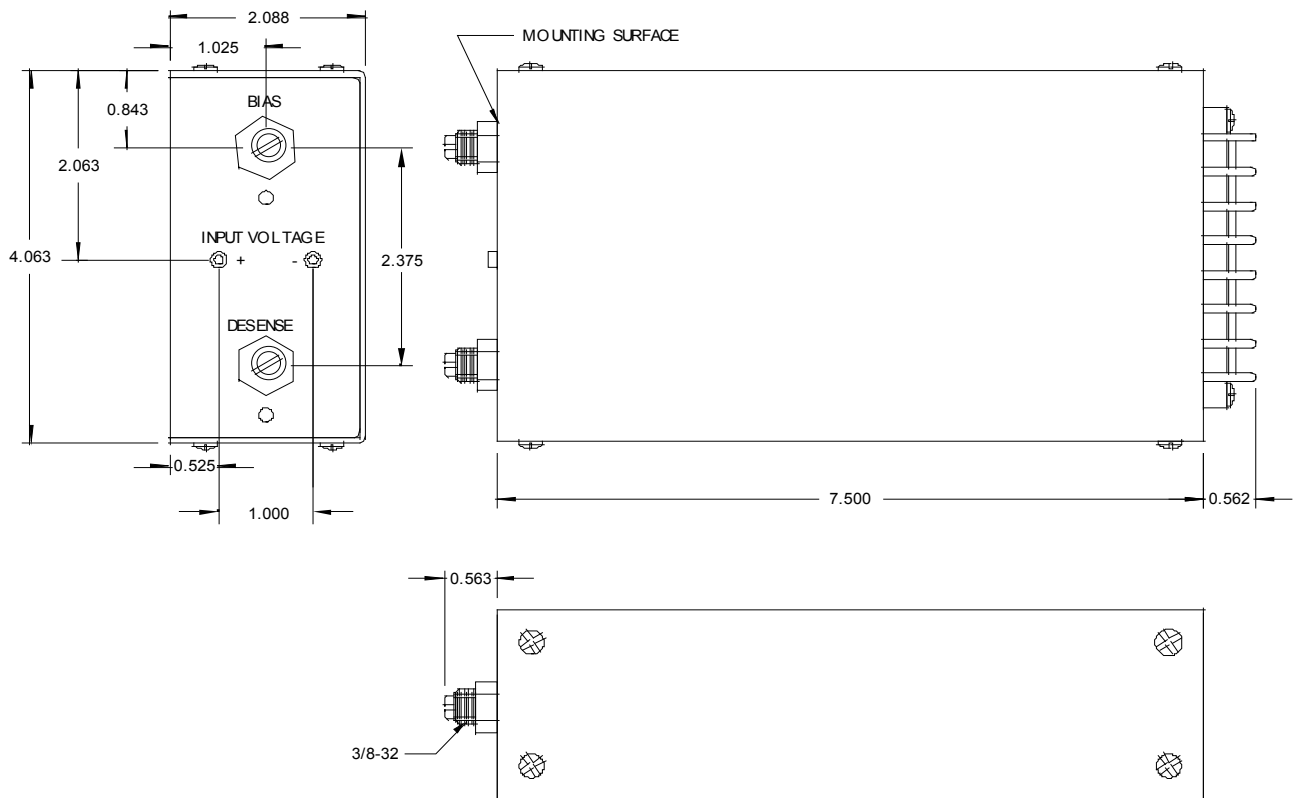


The MAG1100 Magnetic Amplifier Relay replaces the obsolete Hagan magnetic amplifier relay, as a one-channel device that compares an input signal with an internally generated and adjustable set point (BIAS) voltage. Based on this comparison, the MAG1100 actuates three Form C dry contacts. The difference between trip and reset points (DESENSE) is also adjustable. The MAG1100 is intended only for non-safety-related applications in nuclear power plants.



MAG1100



NUSI 800 Series

Magnetic Amplifier Relay

SPECIFICATIONS

Power Supply Voltage:	85 to 132 Vac, 40 to 440 Hz, 110 to 170 Vdc
Fuses:	1 A slow blow, 250 Vac, 3AG, PCB mount fuse holders
Inputs:	0 to 20 mA (or 4 to 20 mA) into 250 Ω 0 to 50 mA (or 10 to 50 mA) into 100 Ω 0 to 5 V (or 1 to 5 V) into 20 M Ω 0 to 10 V (or 2 to 10 V) into 200 k Ω
Outputs:	5 A at 28 Vdc or 120 Vac, three-pole double-throw relay contacts
Desense (deadband):	2% to 100% of input full scale
Switching Time:	Adjustable from 100 ms to 500 ms
Voltage Effects:	Less than 0.1% of input span change in set and reset points for all listed voltage and frequency variations
Repeatability:	Better than 0.1% of input full scale
Surge Withstand:	Using the waveform described in IEEE-472-1974
Input – Output Isolation:	580 Vac and 250 Vdc common mode rejection (line-to-line and line-to-neutral)
Ambient Temperature:	40 °F to 120 °F (5 °C to 49 °C) (normal operation) 120 °F to 140 °F (49 °C to 60 °C) (abnormal operation for 170 hours) –40 °F to 185 °F (–40 °C to 85 °C) (storage)
Relative Humidity:	0% RH to 95% RH, non-condensing
Pressure:	Atmospheric
Radiation Limits:	10 ⁴ rad TID gamma over forty years

HOW TO ORDER

Order model number MAG1100. Custom calibration is available by request.

CONTACT INFORMATION:

Curtiss-Wright Nuclear Division / I&C Products
1350 Whitewater Drive, Idaho Falls, ID, 83402 T: (208) 497.3333