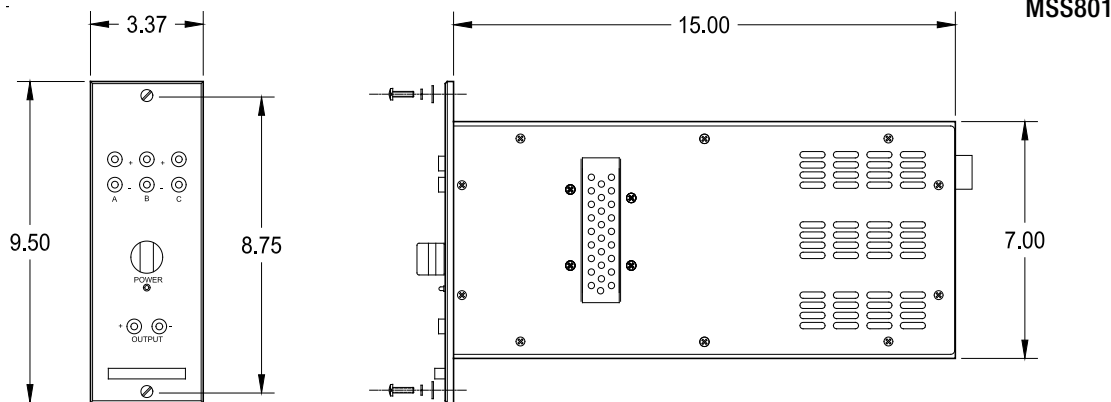


The MSS801 Median Signal Selector replaces the obsolete Hagan 7100 median signal selector modules, and is used to select the median signal from two or three inputs as determined by user-configurable jumpers on the main PC board. User-defined gain and bias, and filtering and high/low limiting can be applied to the selected signal. These adjustments can be made through a mode panel in the side cover.

The only difference between the MSS801 and the NUSI 800 Series HLS801 High/Low Signal Selector (other than jumper settings on the main PC board) is the rear connector output pin configuration. The MSS801 uses pins P+ and K-; the HLS801 uses pins M+ and N-.



SPECIFICATIONS

Power Supply Voltage:	120 Vac RMS ($\pm 10\%$), 60 Hz ($\pm 5\%$)
Power Consumption:	8.5 W typical., 12W, 36 VA maximum
Accuracy:	$\pm 0.5\%$ of output span (Includes effects of linearity, repeatability, hysteresis, zero shift and span error)
Dielectric Withstand:	2500 Vdc and 1000 Vac (RMS) from input to output
	1000 Vdc and 1000 Vac (RMS) from input to case
Credible Live Fault:	480 Vac, 140 Vdc at 20 A
Surge Withstand:	Using the waveform described in IEEE-472-1974
Temperature Effects:	Less than 0.022% of output full scale change per 1 °F change in temperature within operating limits (over 15 °F intervals). End to end module gain less than 10.
Electrical Qualification:	Plant protection, qualified to IEEE 323 1974/1983 and IEEE 344 1975/1987
Ambient Temperature:	35 °F to 122 °F (2 °C to 50 °C) (normal operation)
	122 °F to 135 °F (50 °C to 57 °C) (abnormal operation for 200 hours)
	-40 °F to 185 °F (-40 °C to 85 °C) (storage)
Relative Humidity:	0% RH to 95% RH, non-condensing
Pressure:	Atmospheric
Radiation Limits:	10 ⁴ rad TID gamma over forty years

NUSI 800 Series

Median Signal Selector

HOW TO ORDER

The model number and configuration typically should be specified as follows:

Example: MSS801-05/05/05/00-07-08

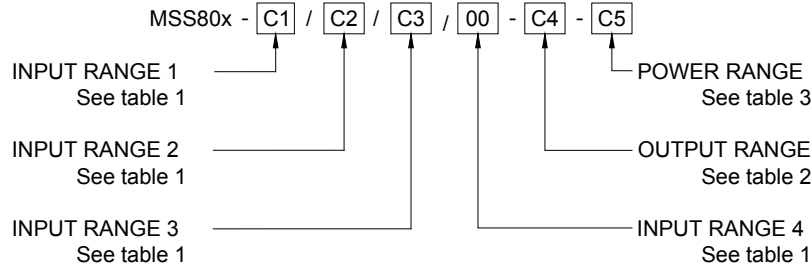


Table 1 — Input Range			Table 2 — Output Range		
Code	Input Range	Impedance Ω	Code	Output Range	Impedance Ω
00	Not Loaded		00	Not Loaded	
01	0 to 100 mVdc	100 M	01	0 to 100 mVdc	32.9
02	0 to 51 mVdc	100 M	02	0 to 51 mVdc	17.3
03	0 to 1 Vdc	100 M	03	0 to 1 Vdc	299
04	0 to 5 Vdc	100 M	04	0 to 5 Vdc	825
05	1 to 5 Vdc	5.2 M	05	1 to 5 Vdc	825
06	0 to 10 Vdc	400 k	06	0 to 10 Vdc	1000
07	4 to 20 mA dc	249	07	4 to 20 mA dc	1050 *
08	10 to 50 mA dc	100	08	10 to 50 mA dc	600 *
09	0 to 1 mA dc	50	09	0 to 180 mA dc	59.3
10	0 to 132 Vac	3.4 M	10	0 to 3.5 Vac	825
11	0 to 20 mA dc	249	11	0 to 20 mA dc	1050 *
12	0 to 50 mA dc	100	12	0 to 50 mA dc	600 *
13	50 to 10 mA dc	100	13	1 to 5 Vdc	249
14	Variable	1 M	14	10 to 44.29 mA dc	660 *
15	0 to 8 Vdc	428 k	15	N/A	
16	-10 to 10 Vdc	3.7 M	16	0 to 1 mA dc	30 k *
17	-2 to 15 Vdc	2.4 M	17	4 to 22.49 mA dc	1050 *
18	5 to 1 Vdc	100 M	18	10 to 56.22 mA dc	550 *
19	3.6 to 11.6 Vdc	477 k			
20	2 to 10 Vdc	427 k			
21	-2 to 2 Vdc	3.5 M			
22	-20 to 20 mA dc	249			
23	N/A				
24	1 to 2 Vdc	3.2 M	Table 3 — Power Source		
25	0 to 4 Vdc	100 M	Code	Power	
26	10 to 32.4 mA dc	200	00	Not Loaded	
27	4 to 10 mA dc	475	01	$\pm 15 \pm 1$ Vdc	
28	0 to 10 V (Hi-Z)	1013	02	28 ± 2 Vdc	
29	0 to 120 Vdc	2.5 M	03	5 ± 0.25 Vdc	
30	Group 1 Selectable	Varies	04	12 ± 1 Vdc	
31	2, 4 or 10 Vdc	Varies	05	15 ± 1 Vdc	
32	0 to 2 Vdc	100 M	06	24 ± 2 Vdc	
33	0 to 3.45 Vdc	100 M	07	48 ± 2 Vdc	
34	1.08 to 5.4 Vdc	5.2 M	08	85 to 132 Vac, 125 Vdc	

* These are not output impedances; these are the output drive capabilities of the current output models.

CONTACT INFORMATION:

Curtiss-Wright Nuclear Division / I&C Products
 1350 Whitewater Drive, Idaho Falls, ID, 83402 T: (208) 497.3333